



# ES520-HU

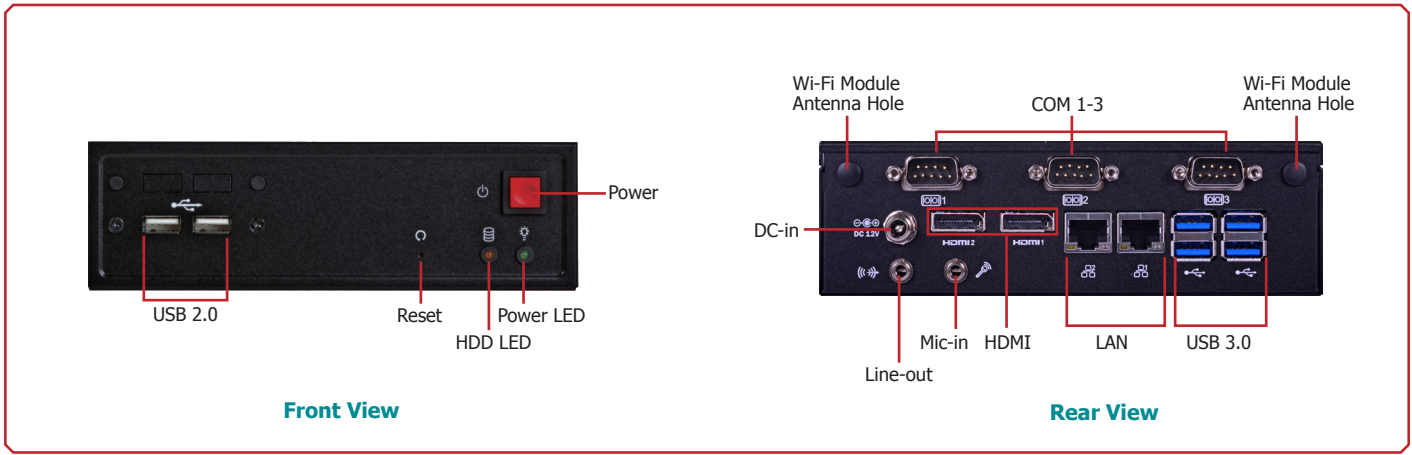
Atom



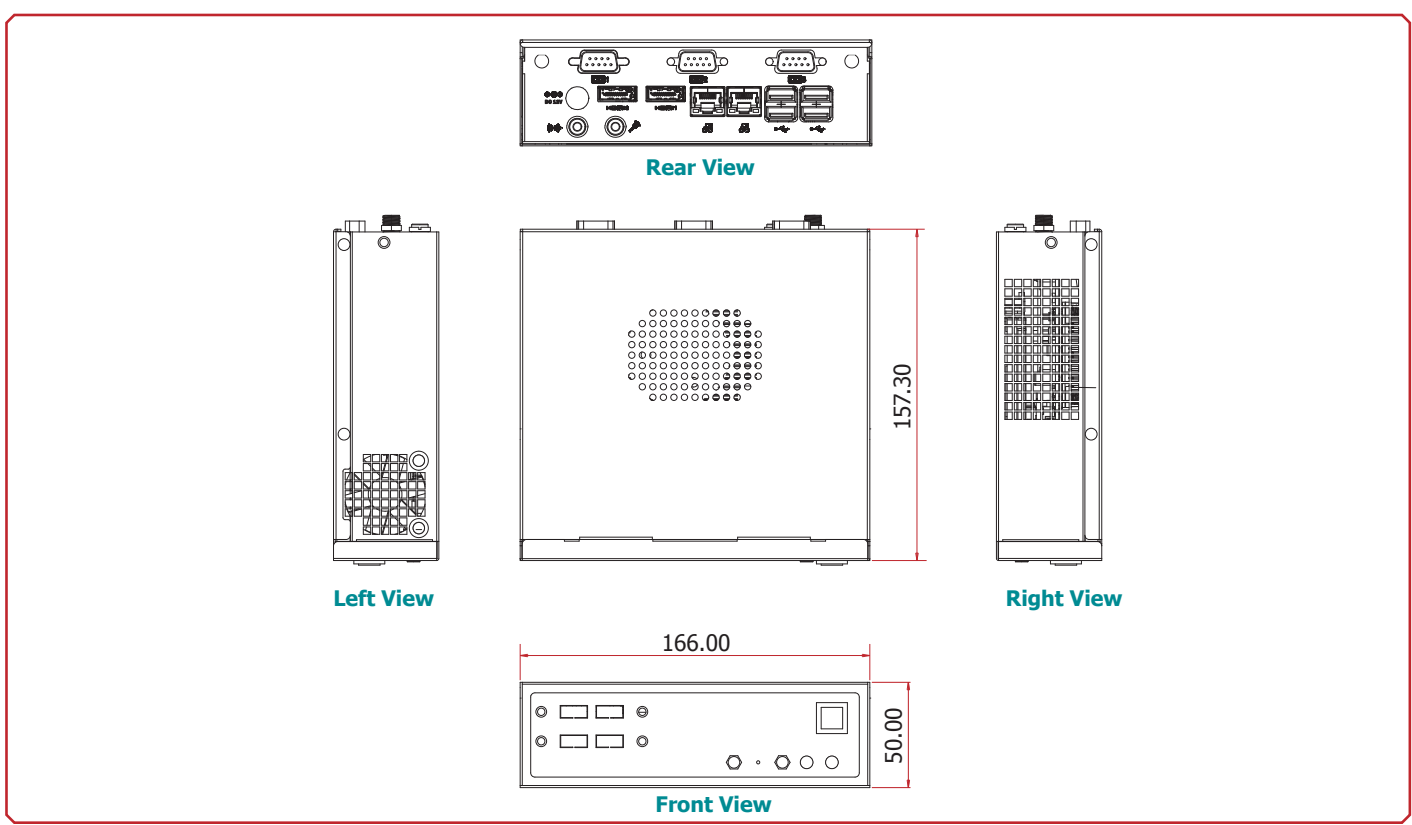
## Features

- 1 DDR3L SODIMM up to 8GB
- 1x 2.5" SATA drive bay
- 2 Mini PCIe supports mSATA and 3G signals
- 2 LAN, 3 COM, 6 USB

## Panel



## Dimensions



# ES520-HU

## ► Specifications

### PROCESSOR SYSTEM

- 4th generation Intel® Core™ processors
  - Intel® Core™ i7-4650U, 4M Cache, 1.7GHz (3.3GHz), 15W
  - Intel® Core™ i5-4300U, 3M Cache, 1.9GHz (2.9GHz), 15W
- BGA 1168 packaging technology
- 22nm process technology

### MEMORY

- One 204-pin SODIMM socket
- Supports DDR3L 1333/1600MHz
- Supports up to 8GB system memory
- Supports single channel memory interface

### GRAPHICS

- Intel® HD Graphics GT series
- Display ports: 2 HDMI
- HDMI: resolution up to 4096x2304 @ 24Hz or 2560x1600 @ 60Hz

### STORAGE

- 1 2.5" SATA drive bay

### ETHERNET

- Intel® I210 PCI Express Gigabit Ethernet controller
- Intel® I218 with iAMT9.5 Gigabit Ethernet Phy
- Integrated 10/100/1000 transceiver
- Fully compliant with IEEE 802.3, IEEE 802.3u, IEEE 802.3ab

### AUDIO

- Realtek ALC888 5.1-channel High Definition Audio

### I/O PORTS

- Front Panel
  - 2 USB 2.0 ports
  - 1 HDD LED
  - 1 Power LED
  - 1 Power button
  - 1 Reset button
- Rear Panel
  - 2 DB-9 RS232 serial ports
  - 1 DB-9 RS485 serial port
  - 1 12V DC-in jack
  - 2 HDMI ports
  - 2 RJ45 LAN ports
  - 4 USB 3.0 ports
  - 1 Mic-in
  - 1 Line-out
  - 2 Wi-Fi antenna holes

### EXPANSION

- 2 Mini PCIe slots
  - 1 full size supports USB, PCIe, mSATA and LPC signals
  - 1 half size supports USB, PCIe and 3G signals
- 1 SIM card socket

### COOLING SYSTEM

- 1 system fan

### POWER

- Power input voltage
  - +12V DC

### ENVIRONMENT

- Temperature
  - Operating: 0°C ~ 50°C
  - Storage: -10°C ~ 85°C
- Humidity
  - Operating: 0% to 85% non-condensing

### CONSTRUCTION

- Sheet metal

### MOUNTING

- Wall mount
  - brackets and screws\*

### DIMENSIONS

- 166mm x 50mm x 157.3mm (W x H x D)

### WEIGHT

- 970g

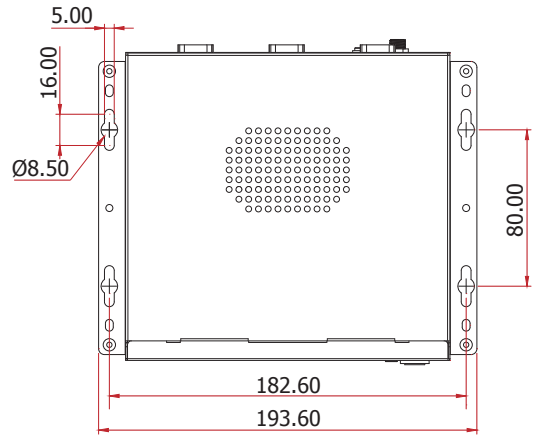
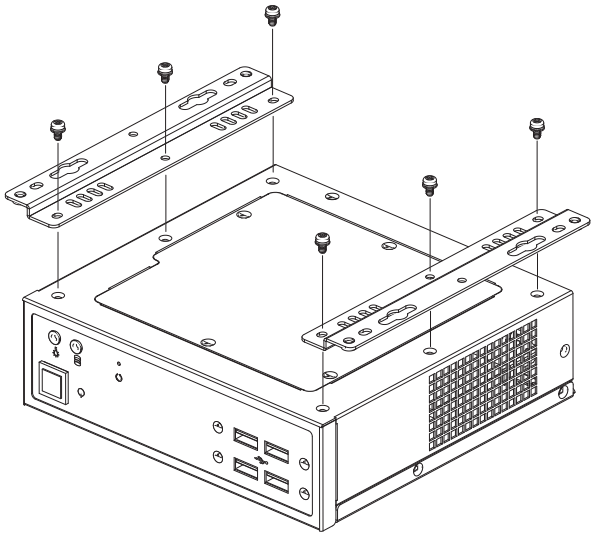
### OS SUPPORT

- Windows 7, WES 7, Windows 8.1



# ES520-HU

## Wall Mounting



## ES520-HU

## ► Ordering Information

Model Name	Part Number	Description
ES520-HU	750-ES5200-400G	i5-4300U, 2 HDMI, 2 LAN, 3 COM, 6 USB, RoHS
ES520-HU	750-ES5200-500G	i7-4650U, 2 HDMI, 2 LAN, 3 COM, 6 USB, RoHS

## ► Optional Items

Optional Items	Part Number	Description
<b>Memory</b>	785-RSOD34G-L	SODIMM, DDR3L Module (supports dual voltage 1.5V DDR3/1.35V DDR3L), 4GB, RoHS
	785-RSOD32G-L	SODIMM, DDR3L Module (supports dual voltage 1.5V DDR3/1.35V DDR3L), 2GB, RoHS
<b>HDD</b>	785-H25500G	2.5" SATA HDD, 500GB, RoHS
	785-H25250G	2.5" SATA HDD, 250GB, RoHS
	785-S251TBG	2.5" SATA SSD, 1TB MLC, RoHS
	785-S25512G	2.5" SATA SSD, 512GB MLC, RoHS
	785-S25256G	2.5" SATA SSD, 256GB MLC, RoHS
	785-S25128G	2.5" SATA SSD, 128GB MLC, RoHS
	785-S25064G	2.5" SATA SSD, 64GB MLC, RoHS
<b>Wi-Fi</b>	761-110091-000G	Wi-Fi Kit, RoHS
<b>Power Cord</b>	785-PWRD	Power Cord, Standards (USA/EUR/CH), 1.8m, RoHS
<b>Power Adapter</b>	671-107502-000G	75W, 12V/6.25A, RoHS
<b>Wall Mount</b>	761-ES5200-000G	ES520 Wall Mount Kit, RoHS

## ► Packing List

• 1 ES520-HU system unit
• 1 Quick Installation Guide
• 1 CD disk includes:
- Drivers / Manual