

EC70A-SU

ULT

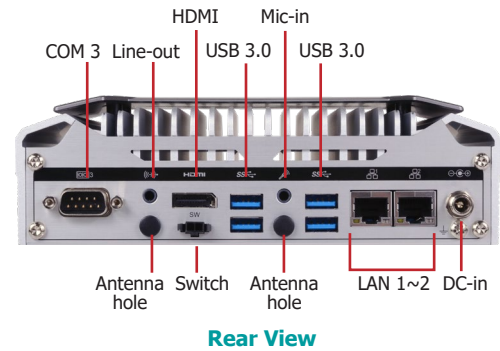
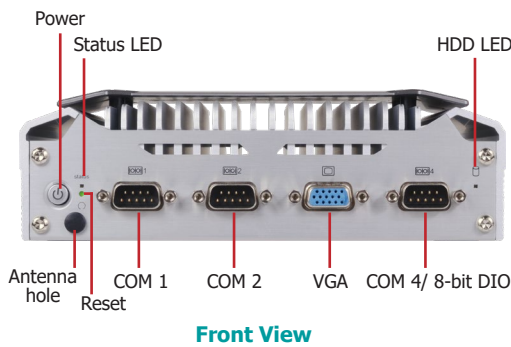


Features

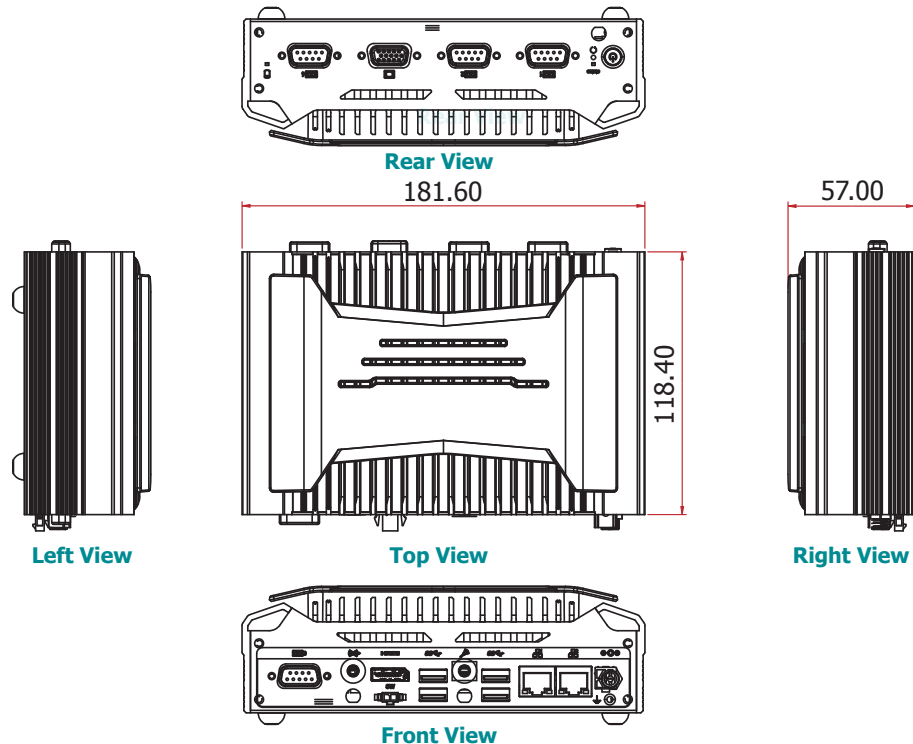
- Compact and Fanless Embedded System
- 4GB/8GB DDR4 memory onboard
- 1x 2.5" SATA 3.0 drive bay
- Supports 2 Mini PCIe for wireless application
- Rich I/O ports: 2 Intel GbE, 4 COM, 4 USB 3.0



Panel



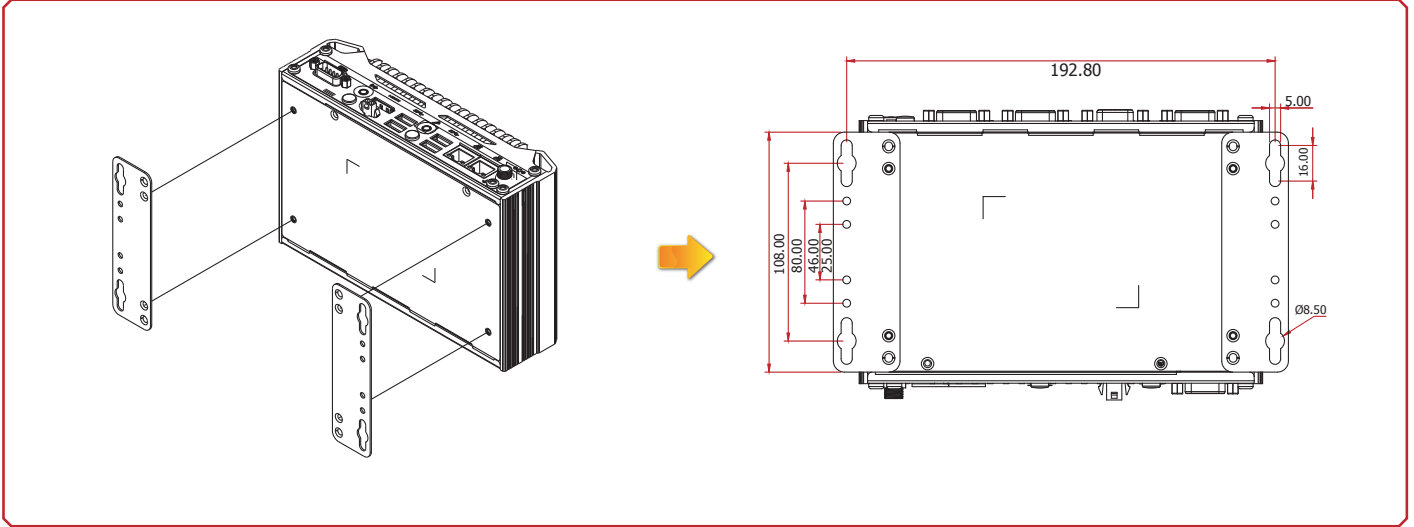
Dimensions



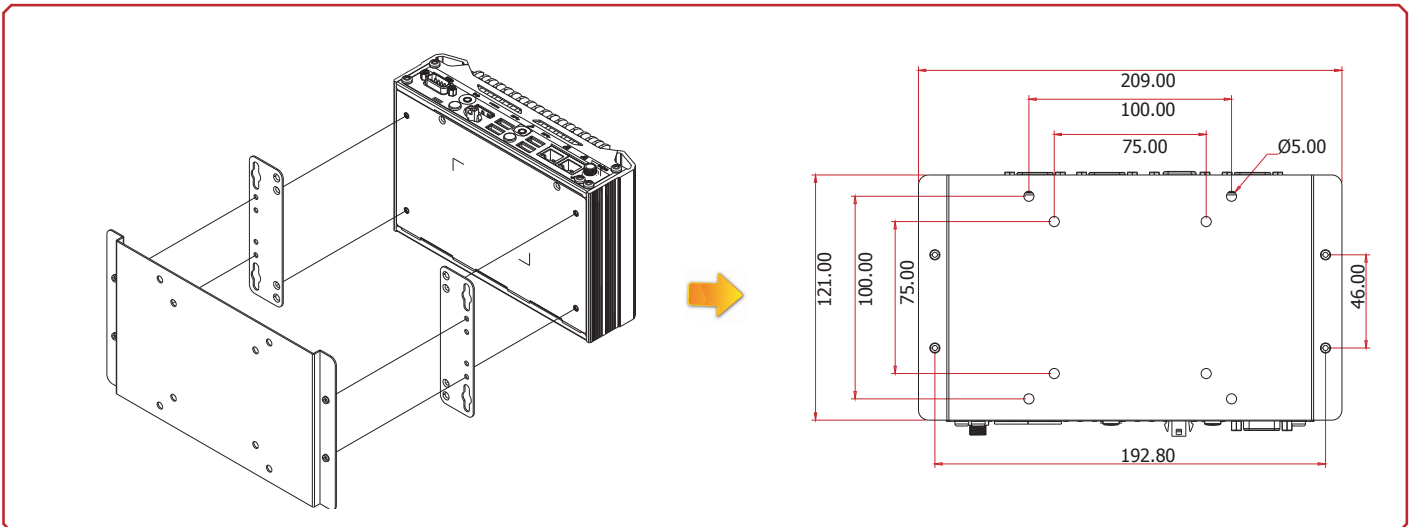
► Specifications

SYSTEM	Processor	6th/7th Generation Intel® Core™ Processors, BGA 1356 Intel® Core™ i7-6600U Processor, Dual Core, 4M Cache, 2.6GHz, 15W Intel® Core™ i5-6300U Processor, Dual Core, 3M Cache, 2.4GHz, 15W Intel® Core™ i3-6100U Processor, Dual Core, 3M Cache, 2.3GHz, 15W Intel® Core™ i7-7600U Processor, Dual Core, 4M Cache, 2.8GHz (3.9GHz), 15W Intel® Core™ i5-7300U Processor, Dual Core, 3M Cache, 2.6GHz (3.5GHz), 15W Intel® Core™ i3-7100U Processor, Dual Core, 3M Cache, 2.4GHz, 15W
	Memory	4GB/8GB Memory Onboard Dual Channel DDR4 2133MHz
	BIOS	Insyde SPI 128Mbit
	GRAPHICS	Controller Intel® HD Graphics GT Series
GRAPHICS	Feature	OpenGL 5.0, DirectX 12, OpenCL 2.1 HW Decode: AVC/H.264, MPEG2, VC1/WMV9, JPEG/MJPEG, HEVC/H265, VP8, VP9 HW Encode: AVC/H.264, MPEG2, JPEG, HEVC/H265, VP8, VP9
	Display	1 x HDMI/DP++ (DP++ available upon request) VGA: resolution up to 1920x1200 @ 60Hz 1 x VGA DP++: resolution up to 4096x2304 @ 60Hz HDMI: resolution up to 4096x2160 @ 24Hz or 2560x1600 @ 60Hz
	Dual Displays	VGA + HDMI
	STORAGE	1 x 2.5" SATA 3.0 Drive Bay
EXPANSION	Interface	1 x Full-size Mini PCIe (PCIe+USB) 1 x Half-size Mini PCIe (USB+PCIe or USB+SATA, PCIe/SATA is selected by jumper setting, USB+SATA by default)
AUDIO	Audio Codec	Realtek ALC888 5.1-channel
ETHERNET	Controller	1 x Intel® I210IT PCIe (10/100/1000Mbps) 1 x Intel® I219LM with iAMT11.0 PCIe (10/100/1000Mbps) (only Core i7/i5 supports iAMT)
LED	Indicators	1 x Power LED 1 x HDD LED
FRONT I/O	Serial	2 x RS-232/422/485 (DB-9, COM 1~2) 1 x RS-232 (DB-9, COM 4, support 8-bit DIO by jumper setting)
	Display	1 x VGA
	Buttons	1 x Power Button 1 x Reset Button
	Wi-Fi Antenna	1 x Wi-Fi Module Antenna Hole
REAR I/O	Ethernet	2 x GbE (RJ-45)
	Serial	1 x RS-232 (DB-9, COM 3)
	USB	4 x USB 3.0 (type A)
	Display	1 x HDMI
	Audio	1 x Line-out 1 x Mic-in
	Wi-Fi Antenna	2 x Wi-Fi Module Antenna Hole
WATCHDOG TIMER	Output & Interval	System Reset, Programmable via Software from 1 to 255 Seconds
POWER	Type	Wide Range 15~36V
	Connector	DC Jack
OS SUPPORT		Windows 7 (32/64-bit) WES 7 Windows 8.1 (64-bit) WE8S Windows 10
	MECHANISM	Construction Aluminum + Metal Aluminum
	Mounting Wall/VESA/DIN Rail Mount	
ENVIRONMENT	Dimensions (W x H x D)	181.6mm x 57mm x 118.4mm
	Weight	1.1 Kg
	Operating Temperature	-20 to 60°C (wide-temp SSD or mSATA-mini) 0 to 50°C (general SSD or mSATA-mini)
	Storage Temperature	-20 to 85°C
STANDARDS AND CERTIFICATIONS	Relative Humidity	5 to 95% RH (non-condensing)
	Shock	Operating: IEC 60068-2-27 Test Ea: Shock Test Half-Sine, 3G @ 11ms, 18 Shock ±X, ±Y, ±Z (each axis 3 times)
	Vibration	Operating: IEC 60068-2-64 Test Fh: Vibration Board-Band Random Test Random, 1Grms @ 5~500 Hz, 30min Non-Operating: IEC 60068-2-6 Test Fc: Vibration Sinusoidal Test Sweep Sine, 3Grms @ 10~500Hz, 30min
	Certification	CE, FCC Class A, RoHS, CCC

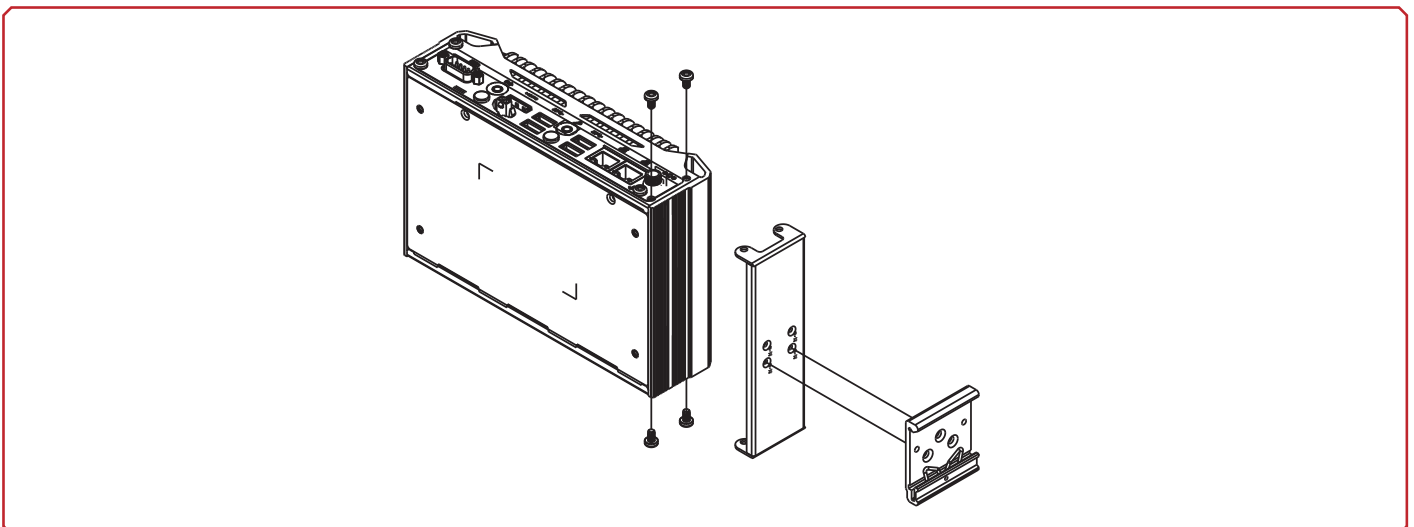
► Wall Mounting



► VESA Mounting



► DIN Rail Mounting



► Ordering Information

Model Name	Part Number	Description
EC70A-SU4041-614	750-EC70A0-000G	Fanless, Intel Core i3-6100U, 1 HDMI, 1 VGA, 2 LAN, 4 COM, 4 USB, 4GB DDR4 onboard
EC70A-SU4041-618	750-EC70A0-100G	Fanless, Intel Core i3-6100U, 1 HDMI, 1 VGA, 2 LAN, 4 COM, 4 USB, 8GB DDR4 onboard
EC70A-SU4041-634	750-EC70A0-200G	Fanless, Intel Core i5-6300U, 1 HDMI, 1 VGA, 2 LAN, 4 COM, 4 USB, 4GB DDR4 onboard
EC70A-SU4041-638	750-EC70A0-300G	Fanless, Intel Core i5-6300U, 1 HDMI, 1 VGA, 2 LAN, 4 COM, 4 USB, 8GB DDR4 onboard
EC70A-SU4041-664	750-EC70A0-400G	Fanless, Intel Core i7-6600U, 1 HDMI, 1 VGA, 2 LAN, 4 COM, 4 USB, 4GB DDR4 onboard
EC70A-SU4041-668	750-EC70A0-500G	Fanless, Intel Core i7-6600U, 1 HDMI, 1 VGA, 2 LAN, 4 COM, 4 USB, 8GB DDR4 onboard

► Optional Items

Optional Items	Part Number	Description
Storage	785-S251TBG	2.5" SATA SSD, 1TB MLC, -40 to 85°C, RoHS
	785-S25512G	2.5" SATA SSD, 512GB MLC, -40 to 85°C, RoHS
	785-S25256G	2.5" SATA SSD, 256GB MLC, -40 to 85°C, RoHS
	785-S25128G	2.5" SATA SSD, 128GB MLC, -40 to 85°C, RoHS
	785-S25064G	2.5" SATA SSD, 64GB MLC, -40 to 85°C, RoHS
	785-S25032G	2.5" SATA SSD, 32GB MLC, -40 to 85°C, RoHS
	785-MW128GMH	mSATA Card, 128GB MLC, -40 to 85°C, RoHS
	785-MW64GMH	mSATA Card, 64GB MLC, -40 to 85°C, RoHS
	785-MW32GMH	mSATA Card, 32GB MLC, -40 to 85°C, RoHS
Wi-Fi	785-WIFIKT	Wi-Fi Kit, RoHS
Power Cord	785-PWRD	Power Cord, Standards (USA/EUR/CH), 1.8m, RoHS
Power Adapter	671-110003-100G	120W, 19V/6.31A, Level 6, RoHS
	671-106011-000G	60W, 19V/3.15A, Level 6, RoHS
Wall Mount	761-EC8000-000G	EC700/EC800/EC70A Wall Mount Kit, RoHS
VESA Mount	761-EC7000-100G	EC700/EC70A VESA Mount Kit, RoHS
DIN Rail Mount	761-EC70A0-000G	EC70A DIN Rail Mount Kit, RoHS

► Packing List

• 1 EC70A-SU system unit
• Mounting screws for SATA drive
• Mounting screws for Mini PCIe module
• 1 Quick Installation Guide
• 1 CD disk includes:
- Drivers / Manual